

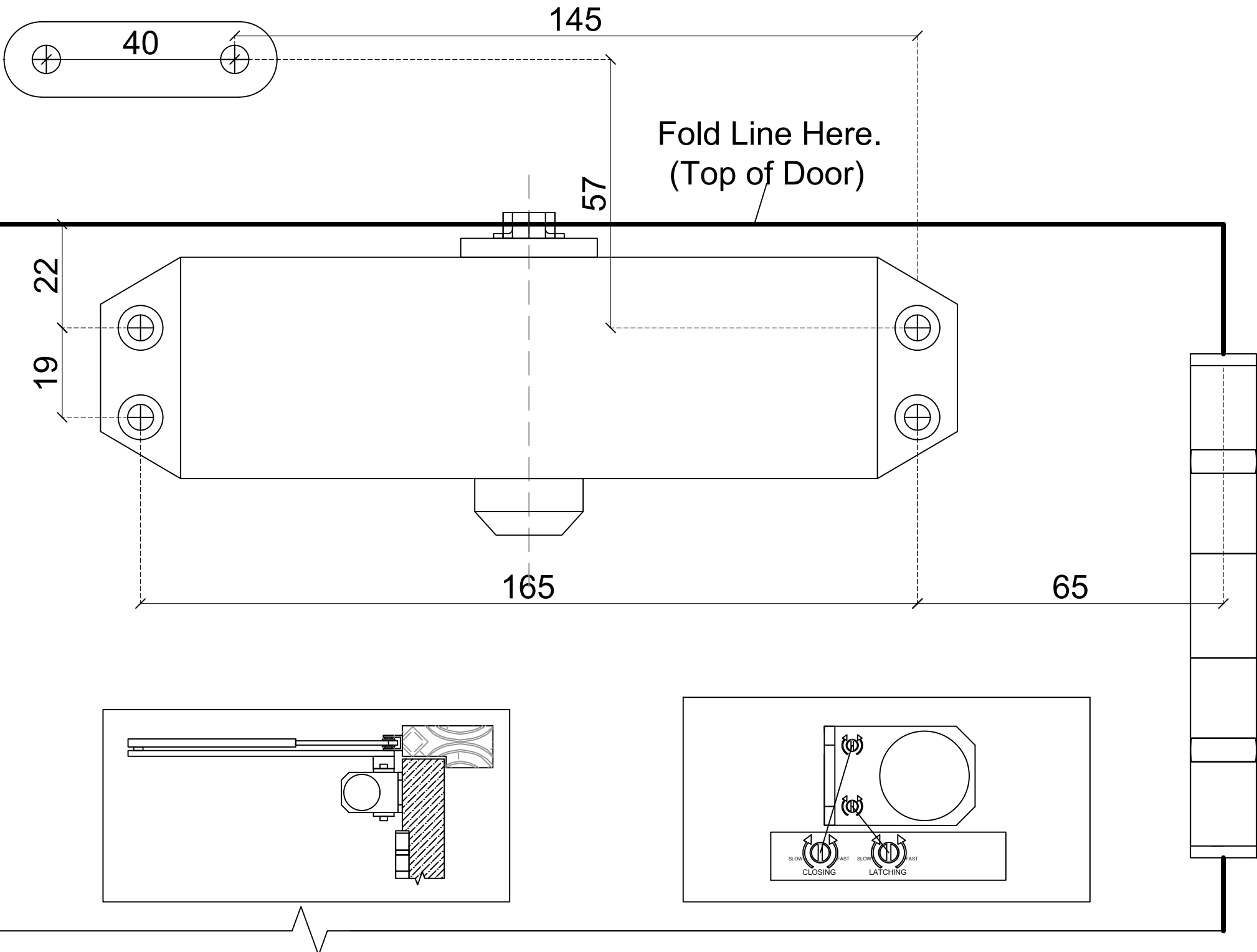
This Template Covers Regular Arm Installation to 180°

EN1154		
Door Closer Power Size	Recommended Door Leaf Width Max mm	Test Door Mass (Kg)
1	750mm	20 Kg
2	850mm	40 Kg
3	950mm	60 Kg
4	1100mm	80 Kg
5	1250mm	100 Kg
6	1400mm	120 Kg

	Boss Door Controls Ltd 3 & 4 Rutherford Square Brucefield Industry Park LIVINGSTON, West Lothian EH54 9BU, United Kingdom	BOSS TS1.203 Fig. 1
	EN 1154:1996+A1:2002	2011
1121-CPD-AD0221		4 8 3 1 1 3



TS1.203 Fig. 1
Right Hand Hung.



This Template Covers Regular Arm Installation to 180°

EN1154		
Door Closer Power Size	Recommended Door Leaf Width Max mm	Test Door Mass (Kg)
1	750mm	20 Kg
2	850mm	40 Kg
3	950mm	60 Kg
4	1100mm	80 Kg
5	1250mm	100 Kg
6	1400mm	120 Kg

	Boss Door Controls Ltd 3 & 4 Rutherford Square Brucefield Industry Park LIVINGSTON, West Lothian EH54 9BU, United Kingdom	BOSS TS1.203 Fig. 1 2011
	EN 1154:1996+A1:2002	4 8 3 1 1 3

