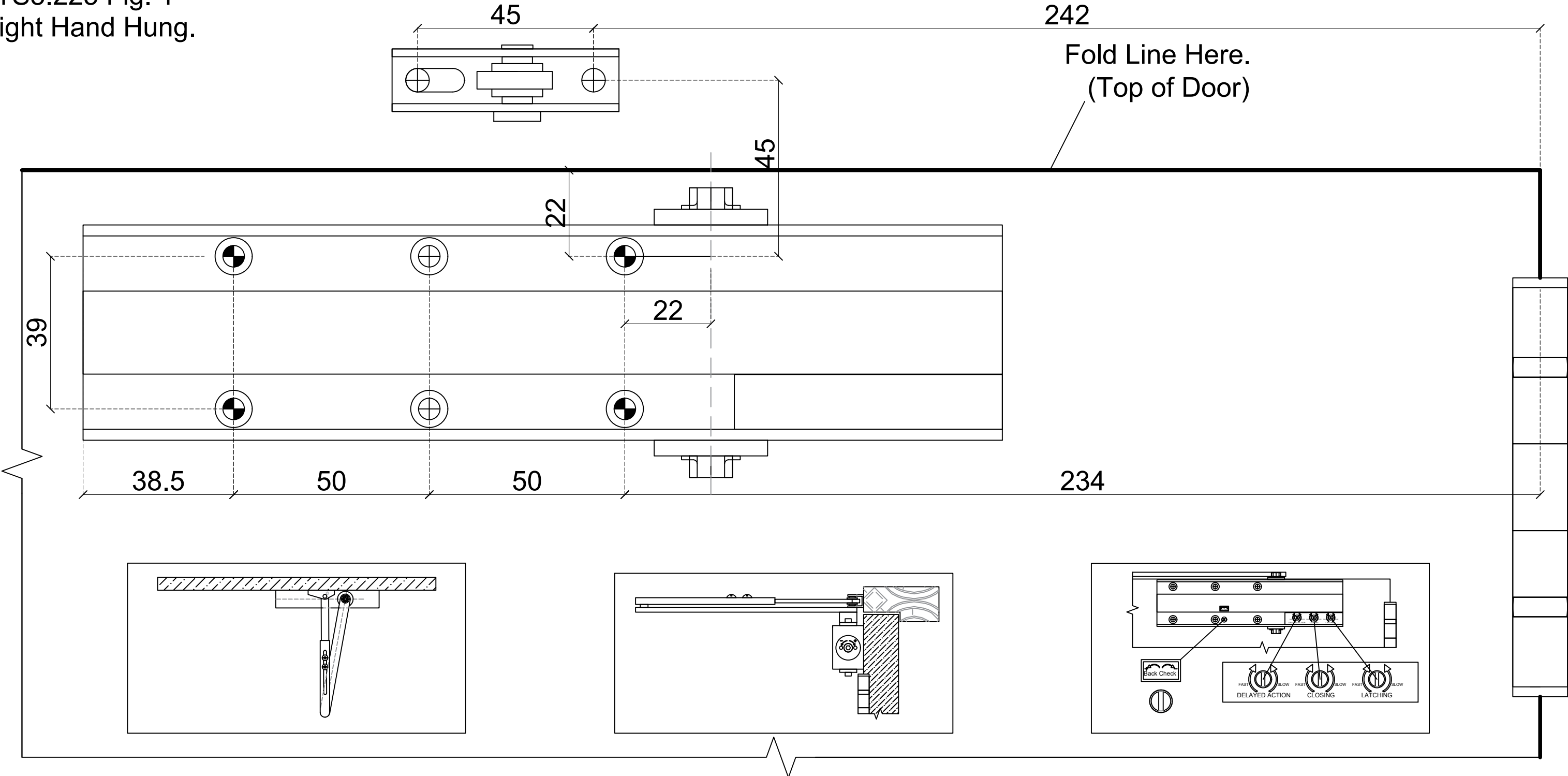
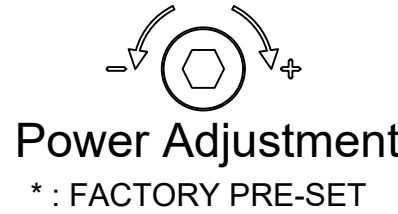




TS5.225 Fig. 1  
Right Hand Hung.



| 2-5 Model   |           |      |
|-------------|-----------|------|
| N° of Turns | Direction | Size |
| 5           | -         | 2    |
| 0           | *         | 3    |
| 5           | +         | 4    |
| 9           | +         | 5    |



| EN1154                 |                                    |                     |
|------------------------|------------------------------------|---------------------|
| Door Closer Power Size | Recommended Door Leaf Width Max mm | Test Door Mass (Kg) |
| 1                      | 750mm                              | 20 Kg               |
| 2                      | 850mm                              | 40 Kg               |
| 3                      | 950mm                              | 60 Kg               |
| 4                      | 1100mm                             | 80 Kg               |
| 5                      | 1250mm                             | 100 Kg              |
| 6                      | 1400mm                             | 120 Kg              |



|                 |   |               |
|-----------------|---|---------------|
|                 | Boss Door Controls Ltd<br>3 & 4 Rutherford Square<br>Brucefield Industry Park<br>LIVINGSTON, West Lothian<br>EH54 9BU, United Kingdom | BOSS TS5.225  |
|                 | FIG 1 EN 1154:1996+A1:2002/2006   | 2009          |
| 1121-CPR-AD0217 |   | 4 8 2/5 1 1 3 |

