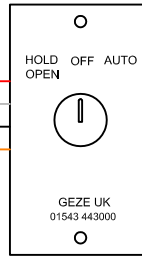
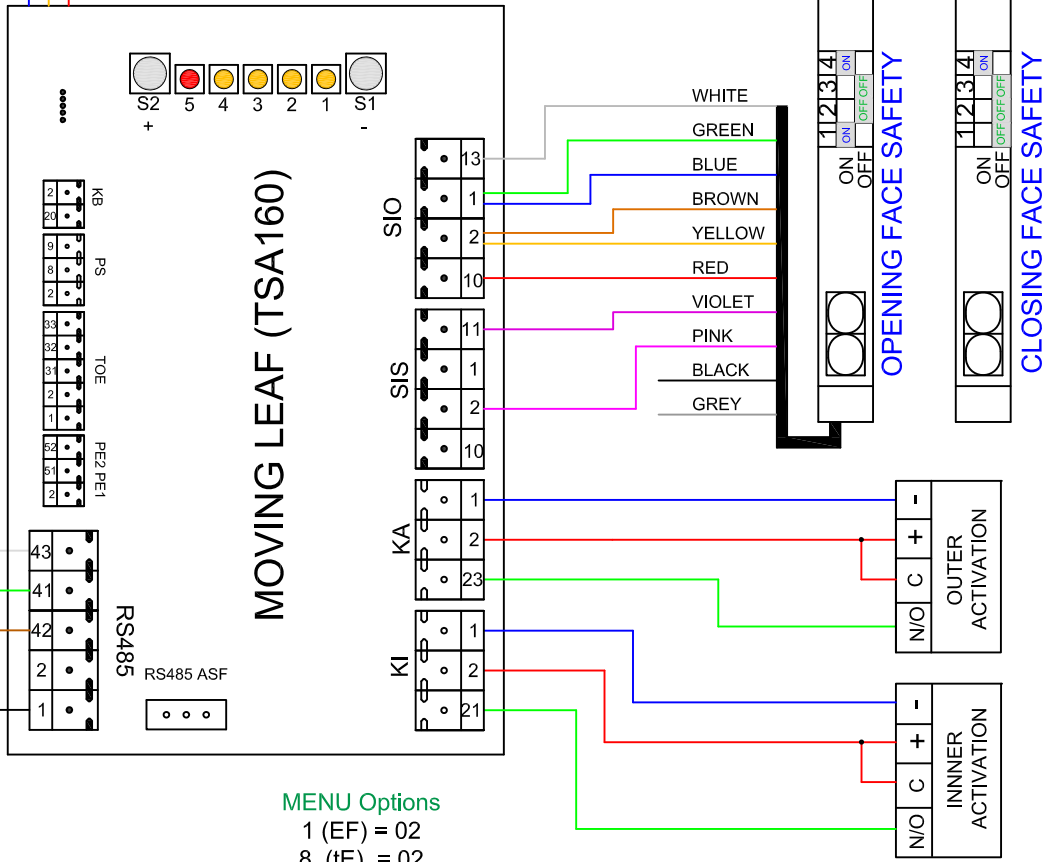


Main rocker switch must be **DISABLED** if PS inputs are to be used.  
As only **ONE** control can be used at once.

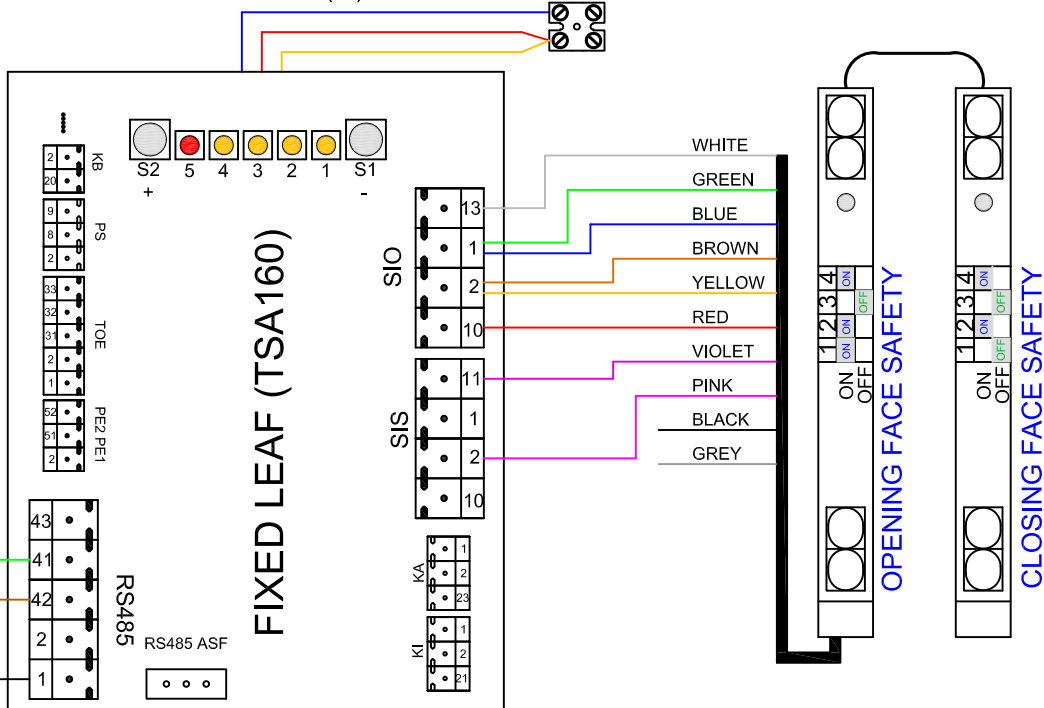
REMOTE KEY SWITCH COLOURS  
WIRED TO RED, YELLOW & BLUE WIRES OR PS TERMINALS



**MENU Options**  
1 (EF) = 01  
8 (tE) = 02



**MENU Options**  
1 (EF) = 02  
8 (tE) = 02



Specification

**TSA160NT PAIR 4SAFE**  
**Without RS Link Cable (120048)**  
Colours are for reference only.

Project

Replaces drawing No 11-08-160NT-1021

This drawing shows the actual stage of product development at the date indicated.  
No claims or damages in any form can be made against GEZE as a result of the interpretation of this drawing. This drawing remains the property of GEZE and is made available to third parties only for the duration of contractual obligations. All rights connected with this drawing remain in possession of GEZE. This drawing may not be copied or handed over to third parties without the express consent of GEZE.

DB	A	14/12/09			
Drawn	Rev	Date	Reason for change		
12-09-160NT-1034			App'd	Scale	Date
			SA	N/A	14/12/09
Title					
Wiring Diagram for TSA 160NT PAIR ( See Specification )					



GEZE UK Ltd  
Blenheim Way  
Fradley Park  
Lichfield  
STAFFORDSHIRE  
WS13 8SY  
TEL +44 (0)1543 44 30 00  
FAX +44 (0)1543 44 30 01 www.geze.com